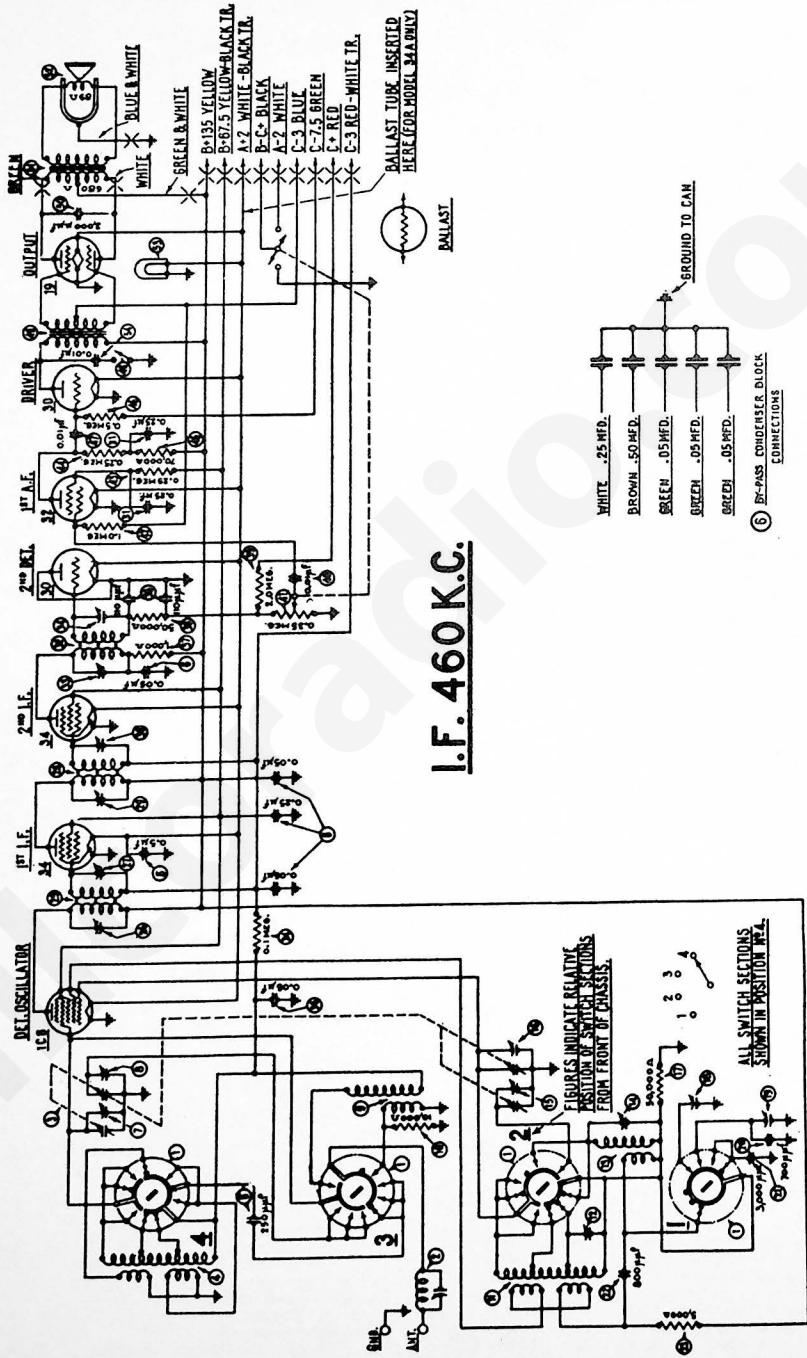


MODEL 34

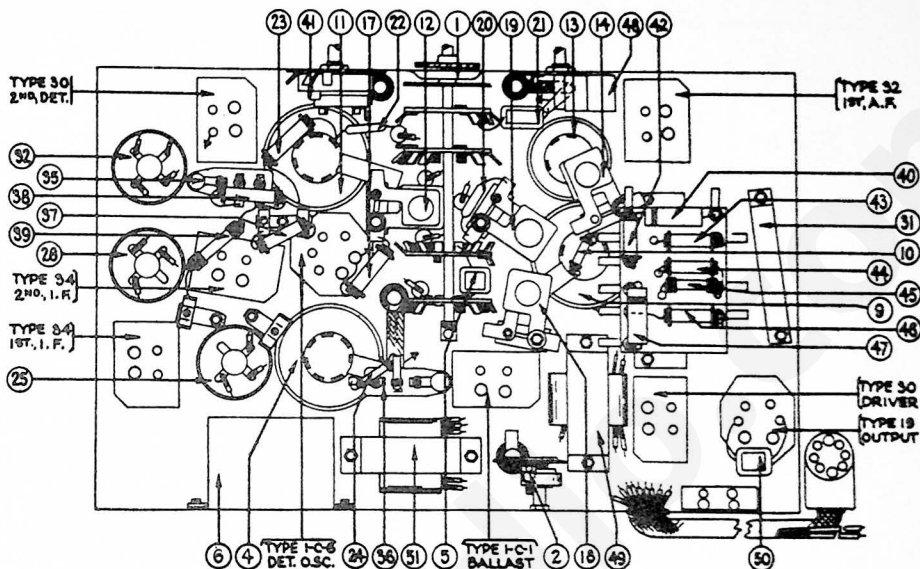
(Battery Operated)



I.F. 460 K.C.

NOTE: Output transformer is mounted on receiver (under chassis) instead of on speaker as indicated in diagram. Also speaker magnet is not grounded.

MODEL 34



MODEL 34 PARTS

No. on Flgs.	Description	Part No.
1	Wave-Band Switch.....	42-1045
2	Wave Trap.....	38-5199
3	Tuning Condenser Assembly.....	31-1183
4	Antenna Transformer (H. F. Bands).....	32-1271
5	Condenser (.0025 mfd.).....	3082
6	By-pass Condenser Block (.25-.5-.05-.05 mfd.).....	30-4151
7	Compensating Condenser (Ant. H. F.).....	Part of 3
8	Compensating Condenser (Ant. B'ost).....	Part of 3
9	Antenna Transformer (Broadcast).....	32-1270
10	Resistor (10,000 ohms—Brown-Black-Orange).....	32-1000
11	Oscillator Transformer (H. F. Bands).....	32-1273
12	Compensating Condenser (Range 2).....	04000-C
13	Oscillator Transformer (Broadcast).....	32-1272
14	Compensating Condenser (Osc. Range 1).....	04000-A
15	Compensating Condenser (Osc. Range 4).....	Part of 3
16	Compensating Condenser (Osc. Range 5).....	Part of 3
17	Resistor (50,000 ohms—Green-Brown-Orange).....	4518
18	Compensating Condenser (Broadcast; Series).....	04000-S
19	Compensating Condenser (Range 2; Series).....	04000-R
20	Condenser (.0007 mfd.).....	5863
21	Condenser (.003 mfd.).....	6009
22	Condenser (.0008 mfd.).....	6021
23	Resistor (5,000 ohms—Green-Black-Red).....	5310
24	Resistor (100,000 ohms—White-White-Orange).....	6099
25	First I. F. Transformer.....	32-1341
26	Compensating Condenser (1st I. F. Pri.).....	31-6007, Inc. as part of 26
27	Compensating Condenser (1st I. F. Sec.).....	part of 26
28	Second I. F. Transformer.....	32-1341
29	Compensating Condenser (2nd I. F. Pri.).....	31-6007, Inc. as part of 29
30	Compensating Condenser (2nd I. F. Sec.).....	part of 29
31	Condenser (.25-.25 mfd.) (By-pass).....	30-4150
32	3rd I. F. Transformer.....	32-1342
33	Compensating Condenser (3rd I. F. Pri.).....	31-6007, Inc. as part of 33
34	Compensating Condenser (3rd I. F. Sec.).....	part of 33

No. on Flgs.	Description	Part No.
35	Condenser (.0011 mfd. twin).....	3084-C
36	Condenser (.05 mfd.).....	3613-J
37	Resistor (1,000 ohms—Brown-Black-Red).....	5887
38	Resistor (50,000 ohms—Green-Brown-Orange).....	4518
39	Resistor (2 meg.—Red-Black-Green).....	5872
40	Condenser (.01 mfd.).....	30-4124
41	Volume Control and On-Off Switch.....	32-3064
42	Resistor (1.0 meg.—Brown-Black-Green).....	4400
43	Resistor (330,000 ohms—Orange-Orange-Yellow).....	4410
44	Resistor (.25 meg.—Red-Yellow-Yellow).....	6046
45	Resistor (70,000 ohms—Violet-Black-Orange).....	5386
46	Resistor (.5 meg.—Yellow-White-Yellow).....	4517
47	Condenser (.01 mfd.).....	30-4124
48	Tone Control.....	30-4182
49	Audio (Input) Transformer.....	7282
50	Condenser (.003 mfd.).....	7301
51	Output Transformer.....	32-7223
52	Voice Coil & Cone Assembly (KR-6).....	36-3167
53	Pilot Lamp.....	5316
54	Condenser (.01 mfd.).....	Part of 54
55	Pilot Lamp Bracket.....	38-5633
56	Battery Cable.....	41-3083
57	Tube Shield (1).....	28-1107
58	Tube Shield (2).....	3006
59	Six Prong Socket.....	7847
60	Four Prong Socket.....	7844
61	Speaker Socket.....	4987
62	Knob (Medium).....	60063
63	Knob (Small).....	60064
64	Knob (Large).....	27-6026
65	Dial Assembly.....	31-1182
66	Dial Scale.....	27-5029
67	Idle Shaft Assembly.....	31-1056
68	Gear (Wave-Band Switch).....	28-7012
69	Mounting Bolt.....	W-467
70	Mounting Washer (Rubber).....	6180
71	Mounting Washer (Steel).....	6068